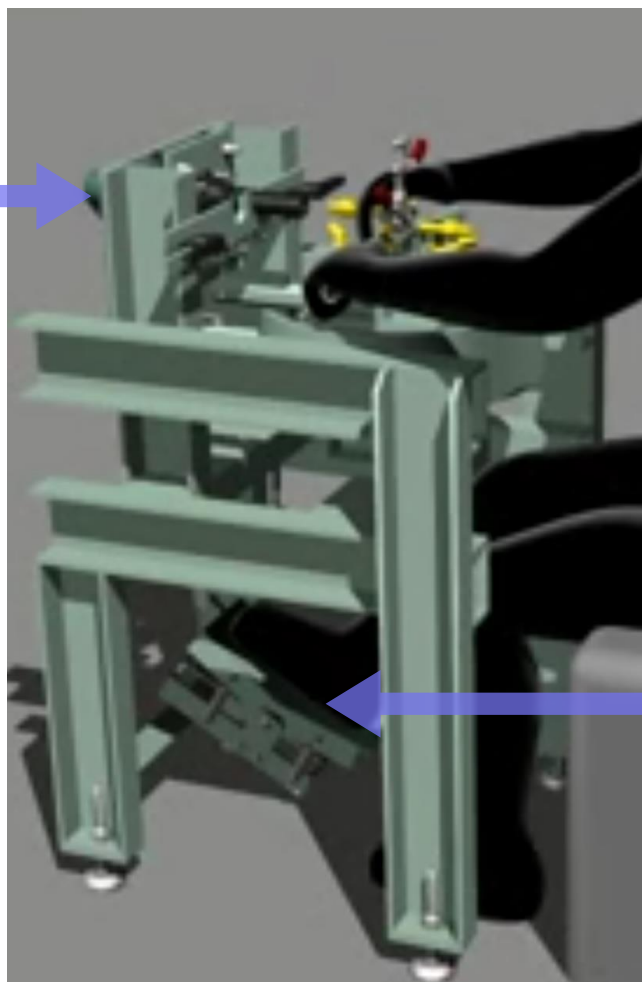
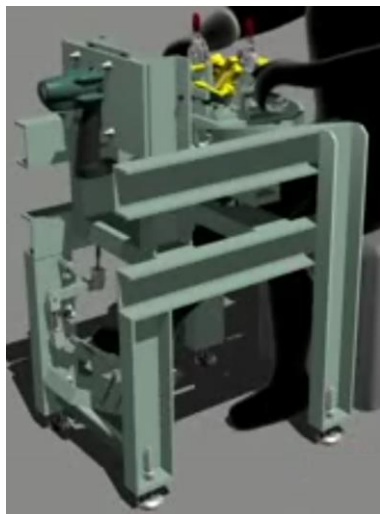


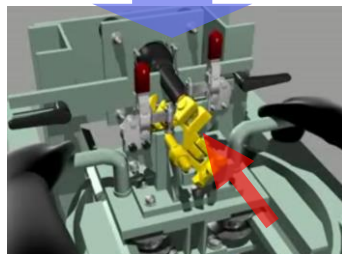
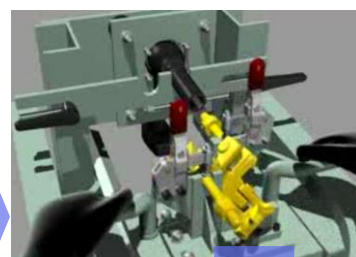
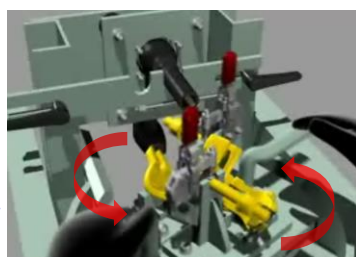
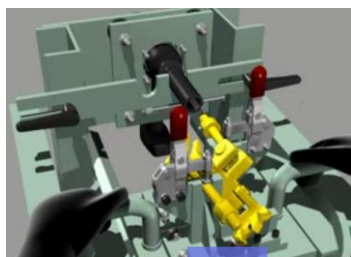
British Standard Clamp Maintenance Machine (Single-axis)

Screw Cleaning

High-spin/High-torque
With Impact Wrench

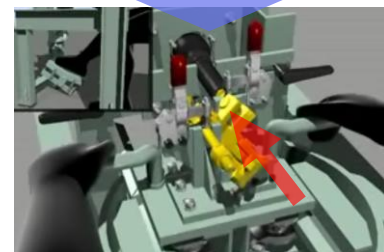


Efficient
Operation
by Foot Switch



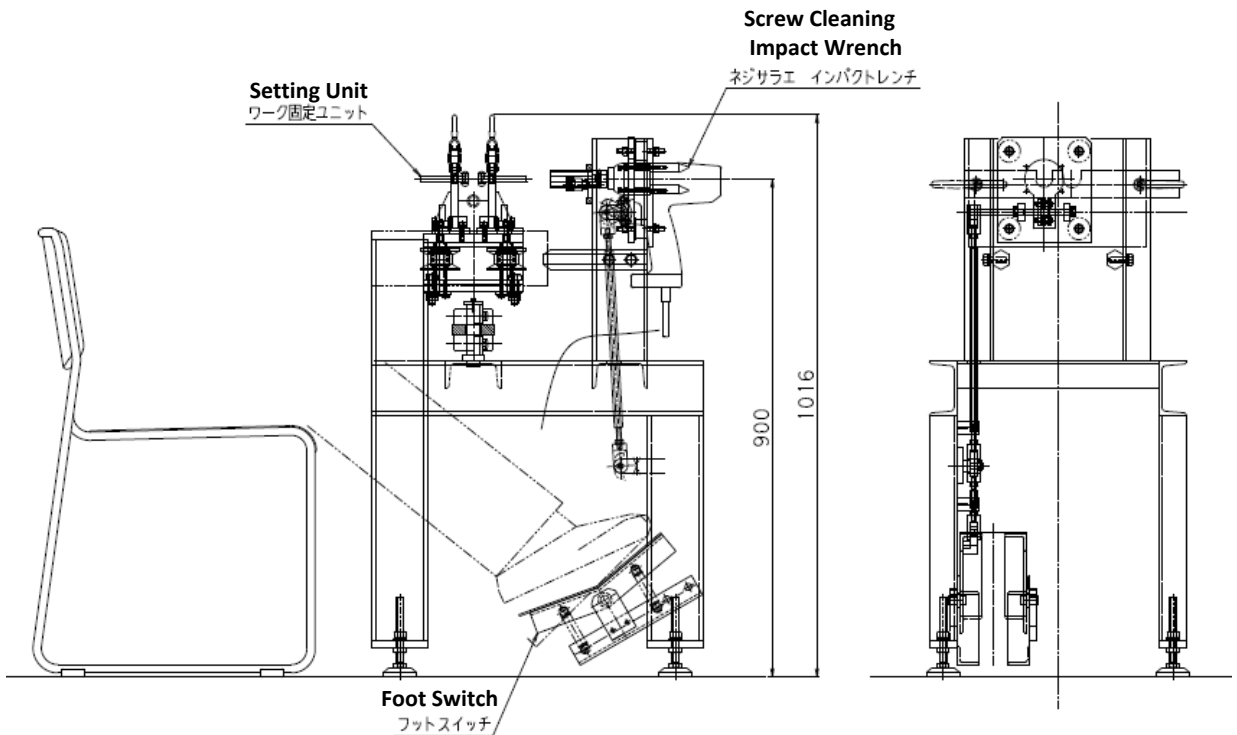
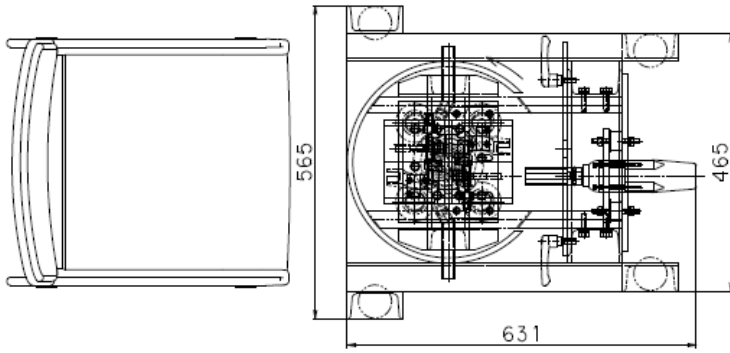
First Screw Cleaning

Setting Unit
Firm-setting & Rotating
Mechanism for Safety &
Quick Operation



Second Screw Cleaning

British Standard Clamp Maintenance Machine (Single-axis)



Main Feature

Applicable Clamps

British Standard Clamps - Swivel/Fixed Type

Operational Mechanism

Clamp Setting

Clamp Transfer

Clamp Rotation

Clamp Discharge

Manual

Screw/Bolt Cleaning

Automatic

Spin

1 1 0 0 ~ 1 6 0 0 r p m (4 Levels)

Torque

Max. 3 6 0 N · m

Motor Capacity

Single-Phase 1 0 0 V 0 . 4 k W